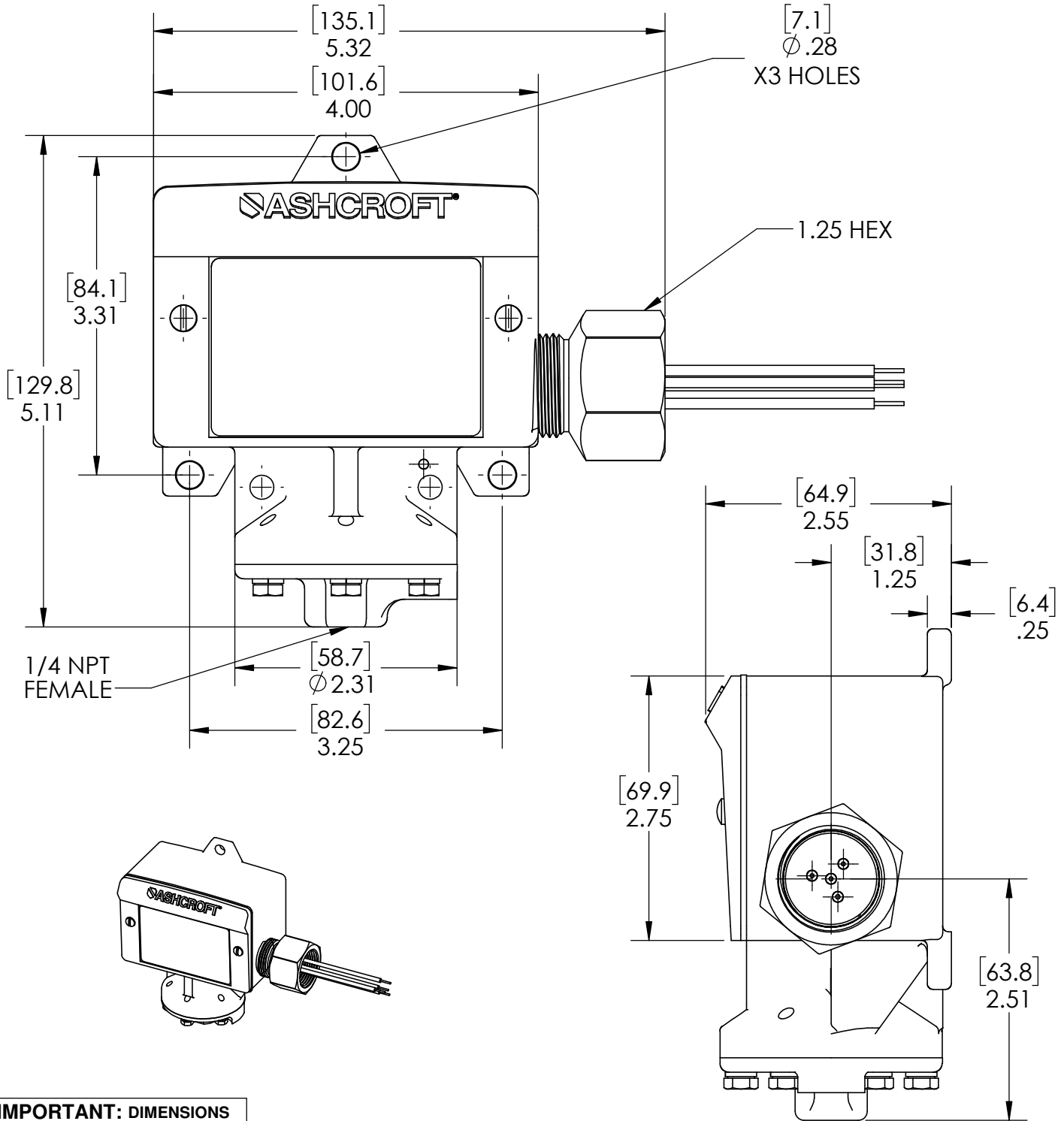




This drawing includes confidential information which is the property of ASHCROFT INC. This copy is loaned for a specific purpose, with the understanding that it will not be reproduced or used for any other purpose or disclosed to others, and it will be returned on demand.

ASHCROFT® INC.

250 EAST MAIN STREET
STRATFORD, CT 06614



IMPORTANT: DIMENSIONS WITHIN OVAL AND NOTES IDENTIFIED WITH "*" REQUIRE MANDATORY INSPECTION.

DIMENSIONAL TOLERANCES UNLESS OTHERWISE SPECIFIED

TOLERANCES ARE:
FRACTIONS DECIMALS ANGLES

3 place decimal .000 -/+.007
2 place decimal .00 -/+.015
1 place decimal .0 -/+.030
angle -/+ 1 deg
chamfer -/+ 5 deg
unless specified all dimensions are in inches

REV	ECO	DESCRIPTION	BY	DATE
A	0009426	GEN DIM DRAWING RELEASE	RGH	8/2/2017

DO NOT SCALE DRAWING		TITLE B4 PRESSURE SWITCH VAC-600# WITH XPM		
DRAWN BY	DATE	SIZE A	DWG. NO. 070A4140	REV. A
R. HEMMING	8/2/2017	SCALE: NONE	SHEET 1 OF 1	